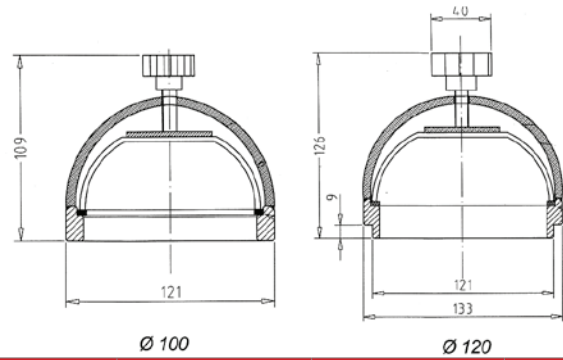


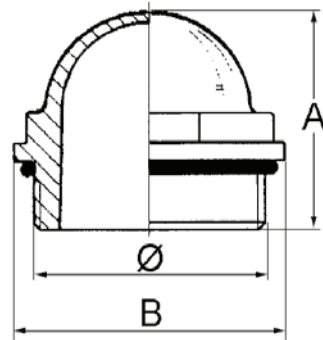


SIGHT GLASS



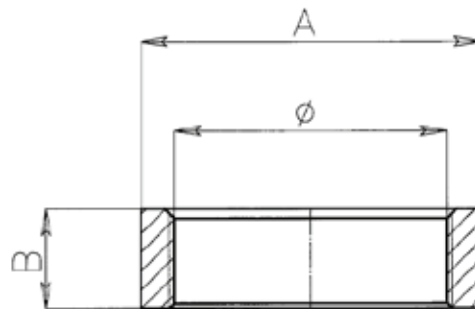
CODE	Model	Kg	Article
5060105007	Ø 100	0.9	2105/E
5060105008	Ø 120	1.2	2105/F

PLASTIC SIGHT GLASS WITH O-RING



CODE	Ø	A	B	Kg	Article
5060105001	2"	50	68	0.06	1001/C
5060105002	3"	78	101	0.16	1001/D

STEEL RING FOR PLASTIC SIGHT GLASS



CODE	Ø	A	B	Kg	Article
5100606001	2"	70	20	0.20	208/C
5100606002	3"	100	30	0.55	208/D